



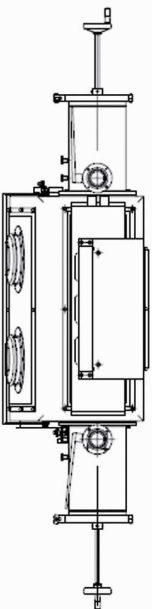
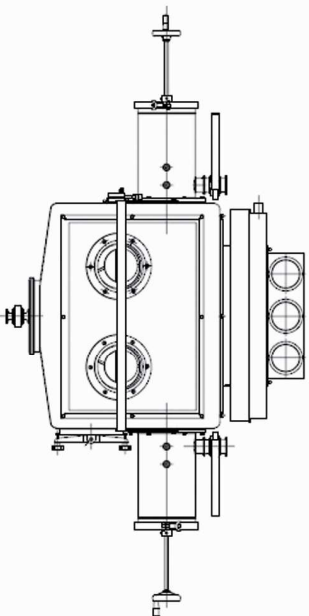
PROFILE

GLOVE BOX is an insulator for powders designed for the pharmaceutical industry and for working in an environment with danger of explosion.

GLOVE BOX provides:

- a several separated chambers structure when required;
- the possibility for each chambers to work at different levels of pressure among them and outside;
- a materials flow grating to ensure both containment and no contamination of the product;
- adequate arrangements to safeguard workers and environment.

Glove Box



DESCRIPTION

The **GLOVE BOX** consists of:

- a Shell out of shiny AISI 316L sheets with a wide elbows at the edges;
- the slightly cone-shaped bottom is provided with a clamp connection for drainage system;
- a transparent front allow both gloves positioning and inside operations vision. A lightning system allows illumination inside the chambers;
- a filtration system of inlet and/or outlet air, push-push type;
- a control system for pressure, flows, etc.